

회전 손잡이

ROTARY PULLS

K-70(ZDC)

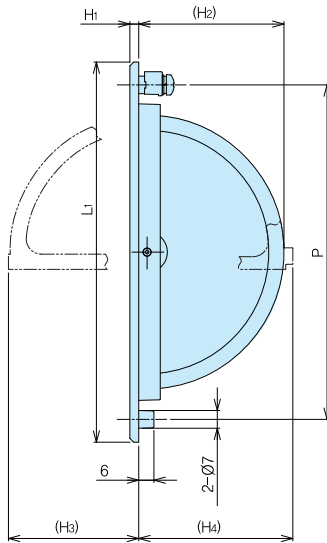
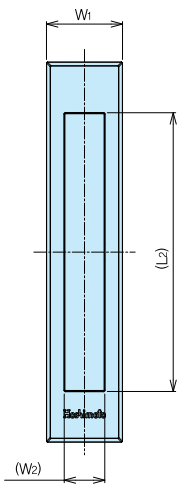


핸들
화스너
손잡이
관련 PART

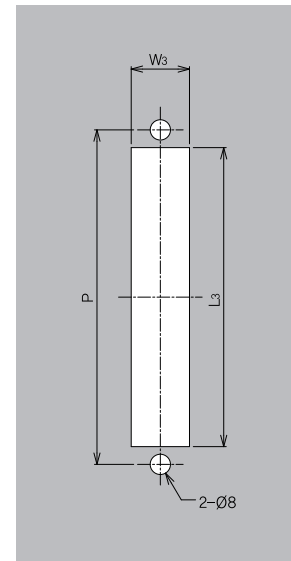


- 특징**
- 사용하지 않을시엔 평면이 됩니다.
 - 하단의 회전부를 PUSH하시면 됩니다.
- Feature**
- It's flush type when not using.
 - Door can be opened/closed by popped grip after pushing the rotary parts on the top and bottom.
- 재질**
- 아연합금 (ZDC)
- 표면처리**
- 배깅질식 분사도금
- 용도**
- 배전반, 제어반, 각종판넬
- Material**
- Zinc alloy(ZDC)
- Finish**
- Pear-skin chrome plating
- Specific Use**
- Power/distribution boards, control boards, various boxes

손잡이



■ 취부홀치수
Dimension of mounting hole



품번 Product No.	L1	(L2)	L3	W1	(W2)	(W3)	H1	(H2)	(H3)	(H4)	P	적용문두께 Applicable door thickness	중량(g) Weight
K-70-0	150	110	118	30	16	23	3.5	57	51	61	132	2.3	262
K-70-1	125	92	99	25	14	21	3	49	43	52	110	1.8	166
K-70-2	100	66	73	20	12	17	2	37	29	40	85	1.8	89
K-70-3	75	44	50	15	9	13	2	24	19	27	62	1.8	43
K-70-4	88	53	60	18	10	15	2.2	29	23	32	74	1.8	65