

방수 평면 스윙 핸들

WATERPROOF FLAT SWING HANDLES

AB-401A~403A

●PAT.PEND. (일본 · 한국 · 대만 · 중국)



AB-401A-1

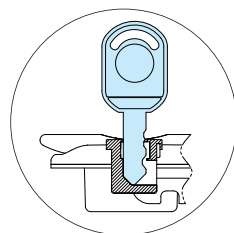


AB-401A-1B

열처리도장(블랙)



키넘버 / H200
Key NO



- 특징 Feature**
- 본체 뒷면의 리브,패킹 등 방수 사양이 되어 있습니다.
 - 좌우 검용설계(좌우 변경은 고정판과 조정너트를 뒤집으면 됩니다)
 - 본제품의 잠금장치(고정판)용 나사의 풀림방지를 위해, 나사풀림방지제를 도포할것을 권장합니다!
 - Waterproof. (using O-ring and sheet packing)
 - For both left-hand and right-hand use. (the left-hand or right-hand use can be changed by reversing the cam and stopper plate)
 - Mounting screw for stopper plate of this product are recommended that are coated with "anti-loosening" to prevent loosening!

- 재질** ●아연합금(ZDC)
표면처리 ●무광크롬도금
용도 ●배전반,분전반,제어반, 그외 각종 BOX
비고 ●Key No. / H200
- Material** ●Zinc alloy(ZDC)
Finish ●Satellite chrome plating
Specific Use ●Electric distribution and control panels, etc
Remarks ●Key No / H200

품번 Product No.	비고 Remarks	중량(g) Weight	입수 Lot
AB-401A-1	열식있음	388	40
AB-401A-2	열식없음	382	40
AB-402A-1	열식있음	291	56
AB-402A-2	열식없음	292	56
AB-403A-1	열식있음	225	80
AB-403A-2	열식없음	223	80
AB-401A-1B	블랙도장/열식있음	388	40
AB-402A-1B	블랙도장/열식있음	291	56
AB-403A-1B	블랙도장/열식있음	225	80

이중시건 방수 평면 스윙 핸들

DOUBLE LOCK WATERPROOF FLAT SWING HANDLES

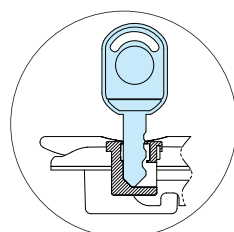
AB-401A~402A-1W



AB-401A-1W



키넘버 / H200
Key NO

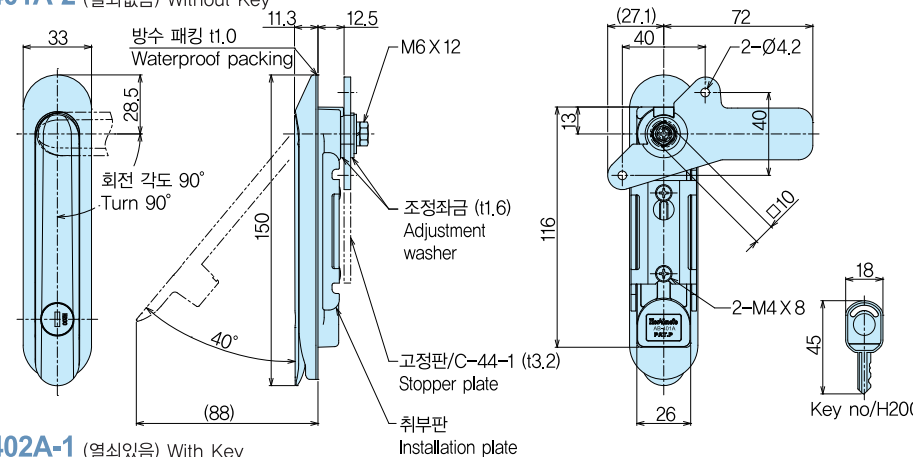


- 특징 Feature**
- 자물쇠로 시정함으로써 이중잠금이 가능합니다.
 - 좌우 검용설계(좌우 변경은 고정판과 조정너트를 뒤집으면 됩니다)
 - 본제품의 잠금장치(고정판)용 나사의 풀림방지를 위해, 나사풀림방지제를 도포할것을 권장합니다!
 - Can be double-locked by a padlock
 - For both left-hand and right-hand use. (the left-hand or right-hand use can be changed by reversing the cam and stopper plate)
 - Mounting screw for stopper plate of this product are recommended that are coated with "anti-loosening" to prevent loosening!

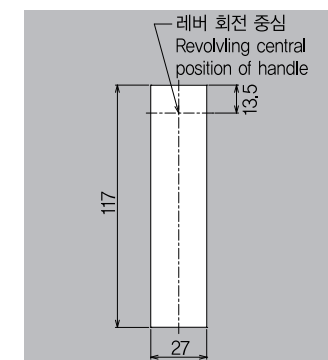
- 재질** ●아연합금(ZDC)
●금구부/철(SPCC)
표면처리 ●무광크롬도금, 금구부/무광크롬도금
용도 ●배전반,분전반,제어반, 그외 각종 BOX
비고 ●Key No. / H200
- Material** ●Zinc alloy(ZDC)
●Plate/ Steel plate(SPCC)
Finish ●Satellite chrome plating, Plate/Satellite chrome plating
Specific Use ●Cubicle, distribution boards, control boards, various boxes
Remarks ●Key No / H200

품번 Product No.	비고 Remarks	중량(g) Weight	입수 Lot
AB-401A-1W	열식있음	371	40
AB-402A-1W	열식있음	273	56

AB-401A-1 (열식있음) With Key AB-401A-2 (열식없음) Without Key

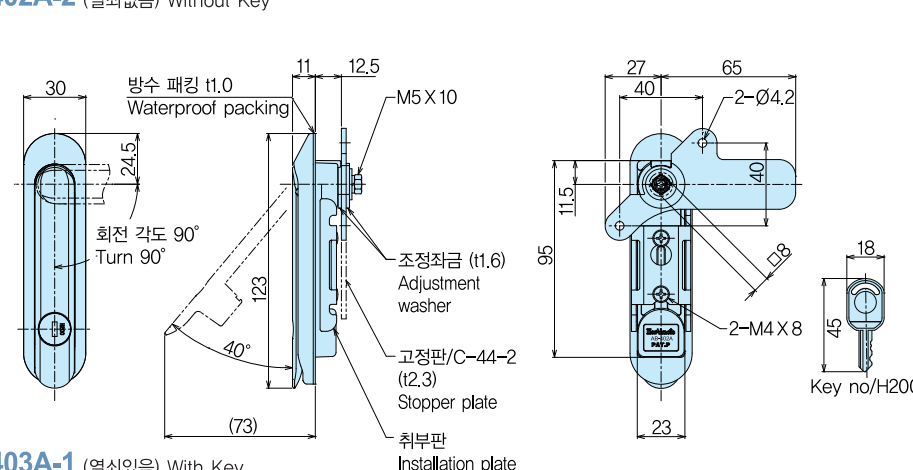


■취부홀치수
Dimension of mounting hole

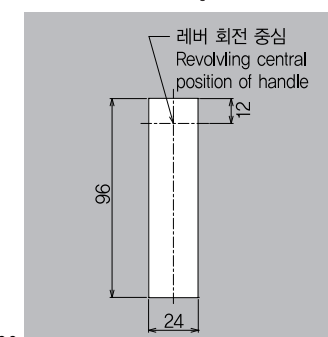


·적용 문두께 t1.2~2.3mm
Panel thickness applicable to install

AB-402A-1 (열식있음) With Key AB-402A-2 (열식없음) Without Key

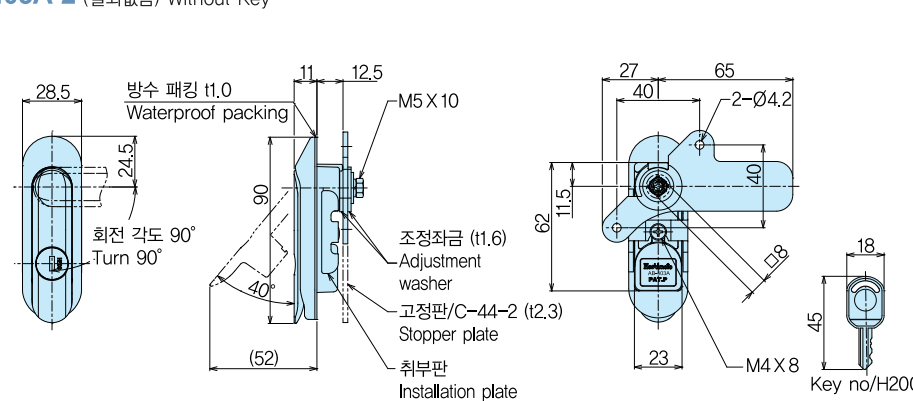


■취부홀치수
Dimension of mounting hole

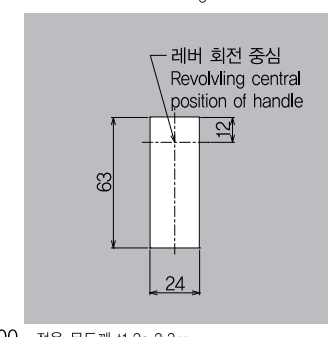


·적용 문두께 t1.2~2.3mm
Panel thickness applicable to install

AB-403A-1 (열식있음) With Key AB-403A-2 (열식없음) Without Key



■취부홀치수
Dimension of mounting hole



·적용 문두께 t1.2~2.3mm
Panel thickness applicable to install

AB-401A-1W (열식있음) With Key AB-402A-1W (열식있음) With Key

