

평면 스윙 핸들

FLAT SWING HANDLES

AB-331~333



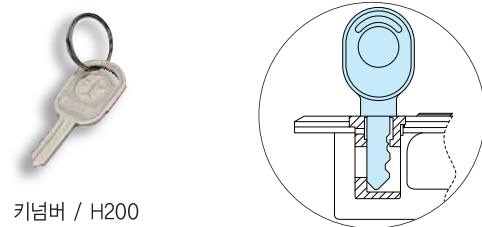
AB-331-1



AB-331-1



AB-332-1



키번호 / H200
Key NO



AB-333-1

- 특징 / Feature**
- 상부 푸쉬로 레버를 여는 타입입니다.
 - 푸쉬조작이 가볍고, 개폐작업이 부드럽습니다.
 - 좌우 겸용설계(좌우 변경은 고정판과 조정너트를 뒤집으면 됩니다)
 - 본제품의 잠금장치(고정판)용 나사의 풀림방지를 위해, 나사풀림방지제를 도포할것을 권장합니다!

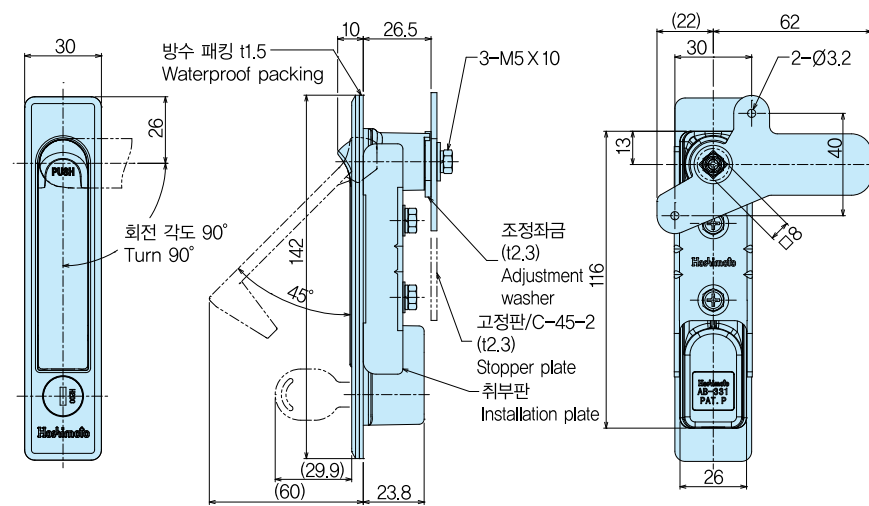
- The lever can be opened/closed by pressing the push-button on the top.
- Smooth opening and closing of lever by easy push-button operation.
- For both left-hand and right-hand use.(the left-hand or right-hand use can be changed by reversing the stopper plate and adjustment washer)
- Mounting screw for stopper plate of this product are recommended that are coated with "anti-loosening" to prevent loosening!

- 재질 / Material** ● 아연합금(ZDC)
표면처리 / Finish ● 무광 크롬 도금
용도 / Specific Use ● 배전반, 분전반, 제어반, 그외 각종 BOX
비고 / Remarks ● Key No. / H200

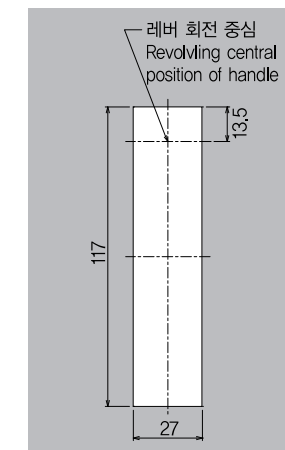
- Material** ● Zinc alloy(ZDC)
Finish ● Satellite chrome plating
Specific Use ● Power/distribution boards, control boards, various boxes
Remarks ● Key No / H200

품번 / Product No.	비고 / Remarks	중량(g) / Weight	입수 / Lot
AB-331-1	열쇠있음	400	40
AB-332-1	열쇠있음	340	56
AB-333-1	열쇠있음	244	80

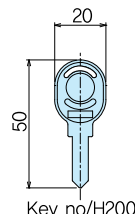
AB-331-1 (열쇠있음) With Key



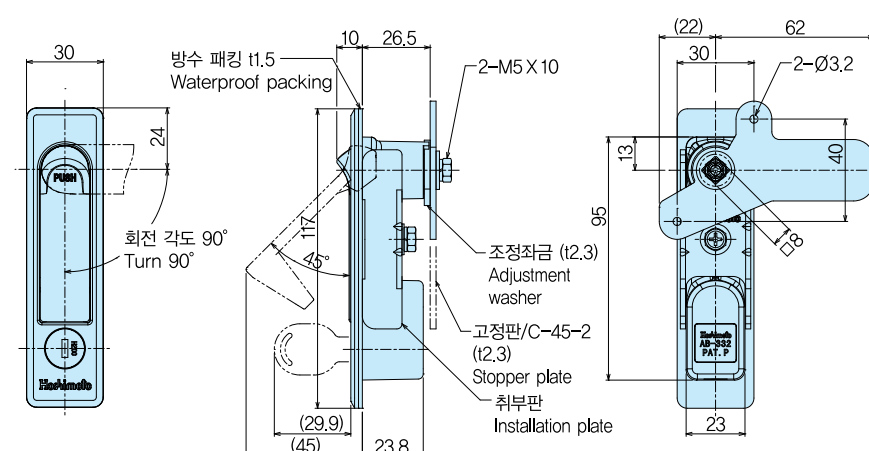
■ 취부홀치수 / Dimension of mounting hole



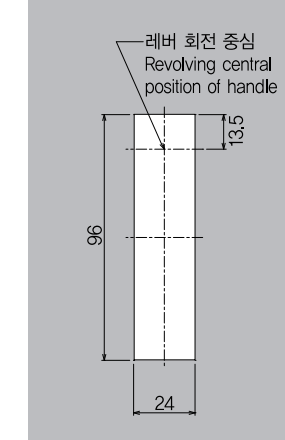
· 적용 문두께 10~2.3mm
Panel thickness applicable to install



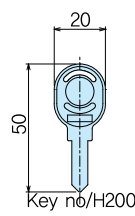
AB-332-1 (열쇠있음) With Key



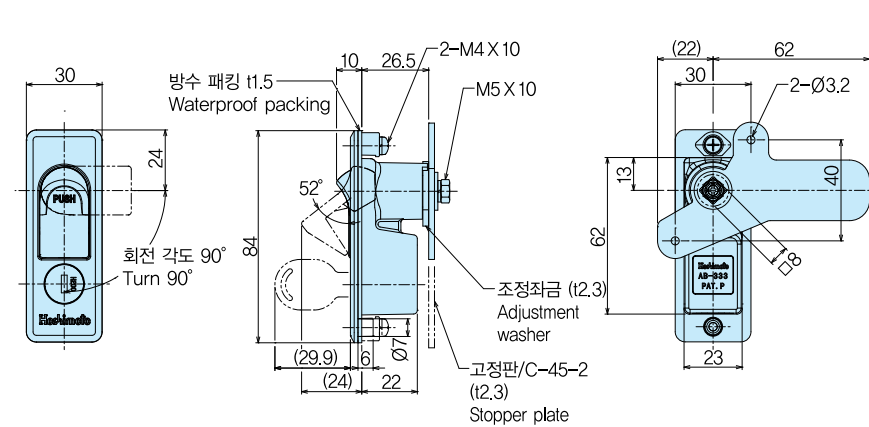
■ 취부홀치수 / Dimension of mounting hole



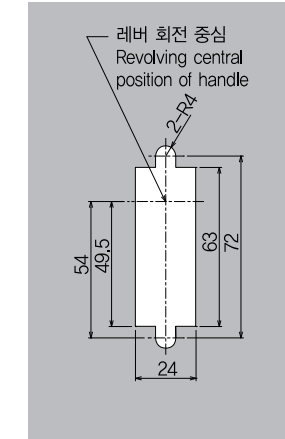
· 적용 문두께 10~2.3mm
Panel thickness applicable to install



AB-333-1 (열쇠있음) With Key



■ 취부홀치수 / Dimension of mounting hole



· 적용 문두께 10~1.8mm
Panel thickness applicable to install

