

클립 볼트

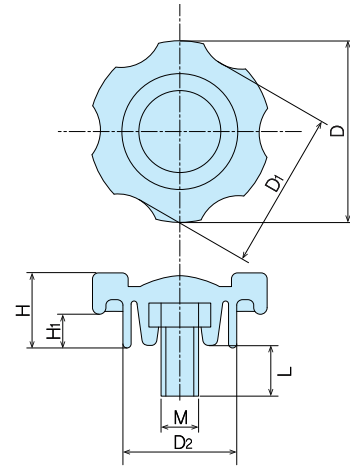
CLIP BOLTS

KP-12(SS)



- 재 질 ●머리부분/ABS수지
 ●나사부분/강철(SWRM)
 표 면 처 리 ●백색아연도금
 용 도 ●각종 기계, 전기기구, 의료기구, 전동공구, 사무용 기구등

- Material ●Head/ABS resin
 ●Screw/Soft steel wire(SWRM)
 F i n i s h ●Zinc unichrome plating
 Specific Use ●Various machines, electrical equipments, medical equipments, electric tools, office equipments, etc.



품번 Product No.	D	D1	H	H1	D2	M	L	중량(g) Weight
KP-12-G1-510	35	31.5	15	5	24	5	10	11.1
KP-12-G1-515	35	31.5	15	5	24	5	15	11.8
KP-12-G1-520	35	31.5	15	5	24	5	20	12.3
KP-12-G1-525	35	31.5	15	5	24	5	25	12.8
KP-12-G1-530	35	31.5	15	5	24	5	30	13.5
KP-12-G1-535	35	31.5	15	5	24	5	35	14.0
KP-12-G1-540	35	31.5	15	5	24	5	40	14.9
KP-12-G1-545	35	31.5	15	5	24	5	45	15.4
KP-12-G1-550	35	31.5	15	5	24	5	50	15.8
KP-12-G1-610	35	31.5	15	5	24	6	10	12.7
KP-12-G1-615	35	31.5	15	5	24	6	15	13.6
KP-12-G1-620	35	31.5	15	5	24	6	20	14.5
KP-12-G1-625	35	31.5	15	5	24	6	25	15.3
KP-12-G1-630	35	31.5	15	5	24	6	30	16.3
KP-12-G1-635	35	31.5	15	5	24	6	35	17.2
KP-12-G1-640	35	31.5	15	5	24	6	40	17.8
KP-12-G1-645	35	31.5	15	5	24	6	45	18.8
KP-12-G1-650	35	31.5	15	5	24	6	50	19.7
KP-12-G2-610	42	37.5	17	7	26	6	10	16.0
KP-12-G2-615	42	37.5	17	7	26	6	15	16.9
KP-12-G2-620	42	37.5	17	7	26	6	20	17.8
KP-12-G2-625	42	37.5	17	7	26	6	25	18.6
KP-12-G2-630	42	37.5	17	7	26	6	30	19.6
KP-12-G2-635	42	37.5	17	7	26	6	35	20.5
KP-12-G2-640	42	37.5	17	7	26	6	40	21.1
KP-12-G2-645	42	37.5	17	7	26	6	45	22.1
KP-12-G2-650	42	37.5	17	7	26	6	50	23.0
KP-12-G2-810	42	37.5	17	7	26	8	10	21.1
KP-12-G2-815	42	37.5	17	7	26	8	15	22.7
KP-12-G2-820	42	37.5	17	7	26	8	20	24.1
KP-12-G2-825	42	37.5	17	7	26	8	25	25.7
KP-12-G2-830	42	37.5	17	7	26	8	30	27.4
KP-12-G2-835	42	37.5	17	7	26	8	35	28.9
KP-12-G2-840	42	37.5	17	7	26	8	40	30.6
KP-12-G2-845	42	37.5	17	7	26	8	45	32.2
KP-12-G2-850	42	37.5	17	7	26	8	50	33.5

품번 Product No.	D	D1	H	H1	D2	M	L	중량(g) Weight
KP-12-G3-810	45	40.5	18	8	30	8	10	24.4
KP-12-G3-815	45	40.5	18	8	30	8	15	26.0
KP-12-G3-820	45	40.5	18	8	30	8	20	27.4
KP-12-G3-825	45	40.5	18	8	30	8	25	29.0
KP-12-G3-830	45	40.5	18	8	30	8	30	30.7
KP-12-G3-835	45	40.5	18	8	30	8	35	32.2
KP-12-G3-840	45	40.5	18	8	30	8	40	33.9
KP-12-G3-845	45	40.5	18	8	30	8	45	35.5
KP-12-G3-850	45	40.5	18	8	30	8	50	36.8
KP-12-G3-1010	45	40.5	18	8	30	10	10	33.7
KP-12-G3-1015	45	40.5	18	8	30	10	15	35.6
KP-12-G3-1020	45	40.5	18	8	30	10	20	38.2
KP-12-G3-1025	45	40.5	18	8	30	10	25	40.3
KP-12-G3-1030	45	40.5	18	8	30	10	30	42.9
KP-12-G3-1035	45	40.5	18	8	30	10	35	45.4
KP-12-G3-1040	45	40.5	18	8	30	10	40	48.1
KP-12-G3-1045	45	40.5	18	8	30	10	45	50.3
KP-12-G3-1050	45	40.5	18	8	30	10	50	53.0
KP-12-G4-1010	50	44.5	20	9	33	10	10	39.8
KP-12-G4-1015	50	44.5	20	9	33	10	15	41.7
KP-12-G4-1020	50	44.5	20	9	33	10	20	44.3
KP-12-G4-1025	50	44.5	20	9	33	10	25	46.4
KP-12-G4-1030	50	44.5	20	9	33	10	30	49.0
KP-12-G4-1035	50	44.5	20	9	33	10	35	51.5
KP-12-G4-1040	50	44.5	20	9	33	10	40	54.2
KP-12-G4-1045	50	44.5	20	9	33	10	45	56.4
KP-12-G4-1050	50	44.5	20	9	33	10	50	59.1
KP-12-G4-1210	50	44.5	20	9	33	12	10	47.8
KP-12-G4-1215	50	44.5	20	9	33	12	15	51.6
KP-12-G4-1220	50	44.5	20	9	33	12	20	55.1
KP-12-G4-1225	50	44.5	20	9	33	12	25	59.2
KP-12-G4-1230	50	44.5	20	9	33	12	30	61.4
KP-12-G4-1235	50	44.5	20	9	33	12	35	65.8
KP-12-G4-1240	50	44.5	20	9	33	12	40	68.5
KP-12-G4-1245	50	44.5	20	9	33	12	45	72.4
KP-12-G4-1250	50	44.5	20	9	33	12	50	76.2